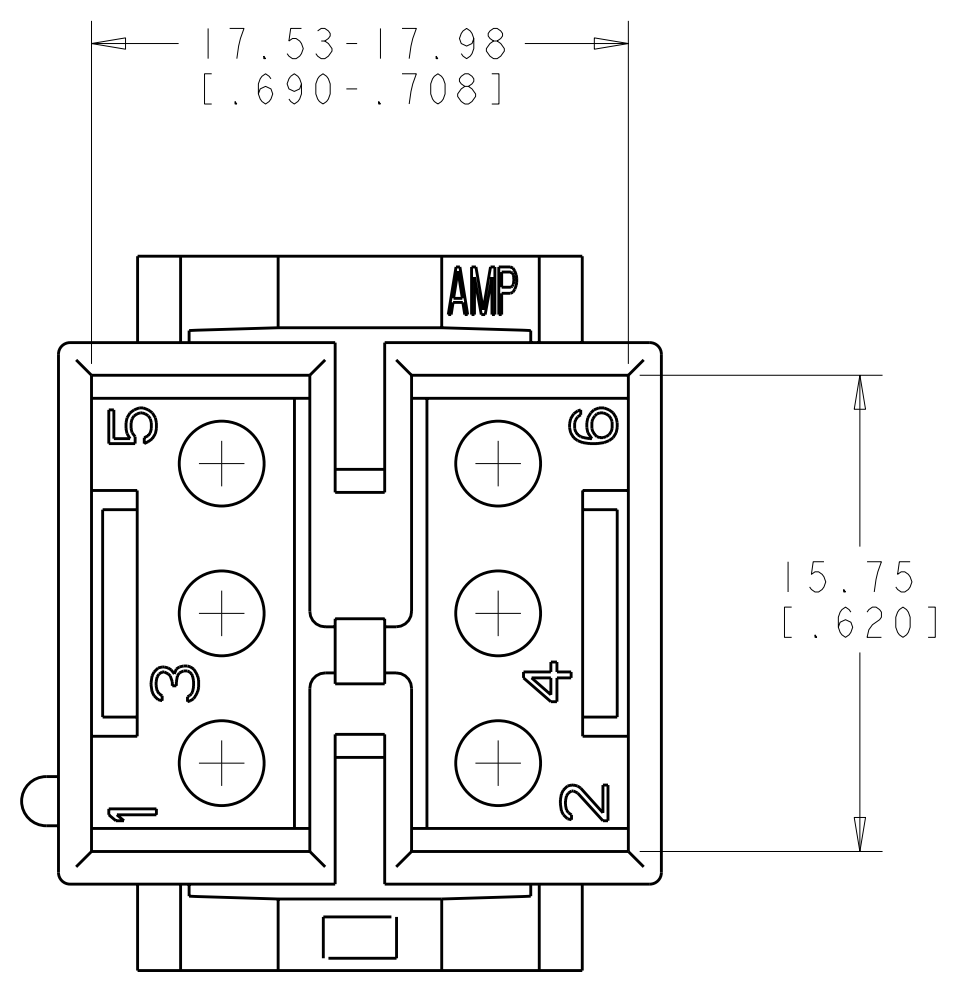
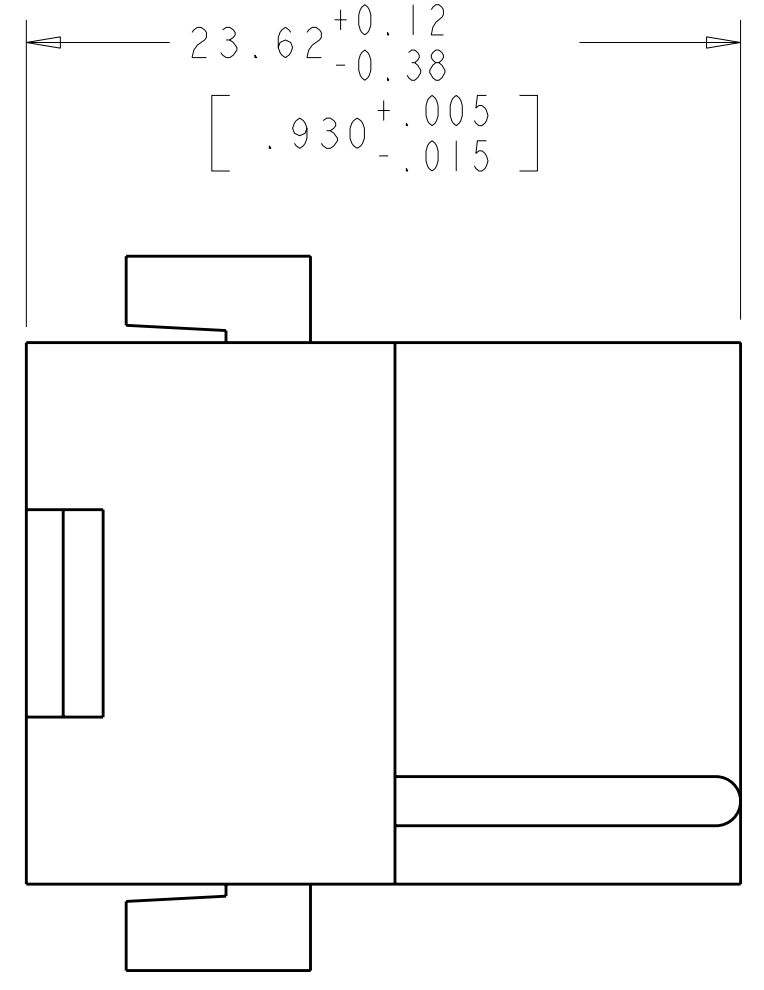
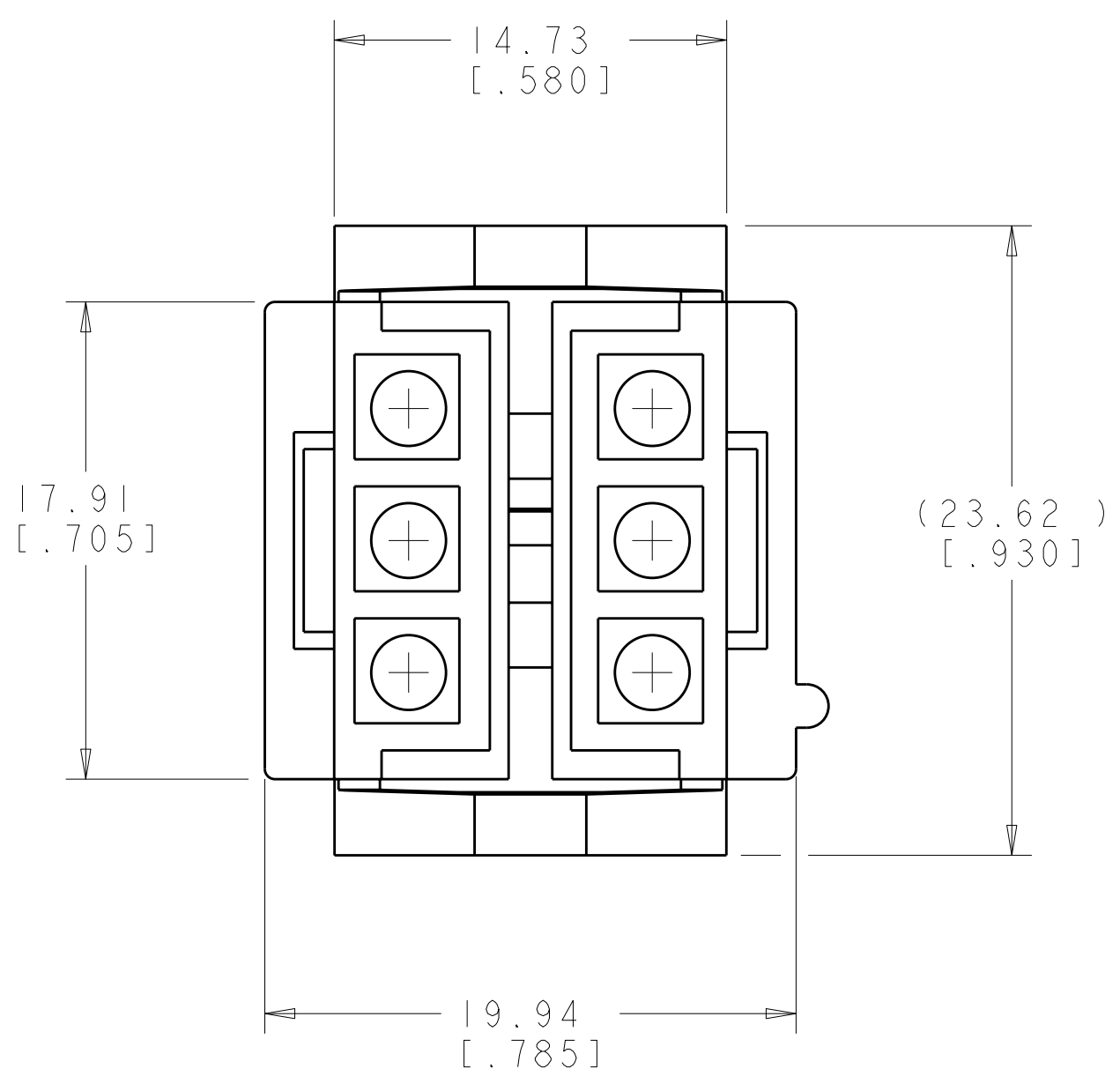
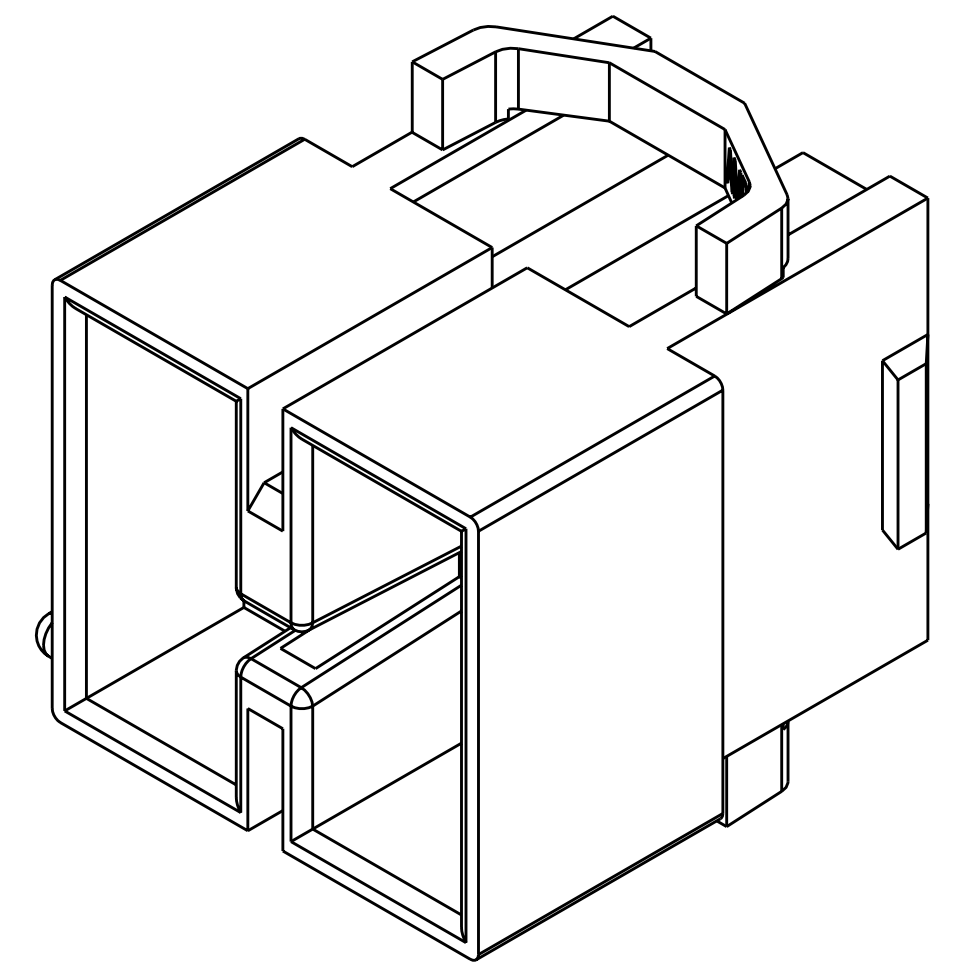
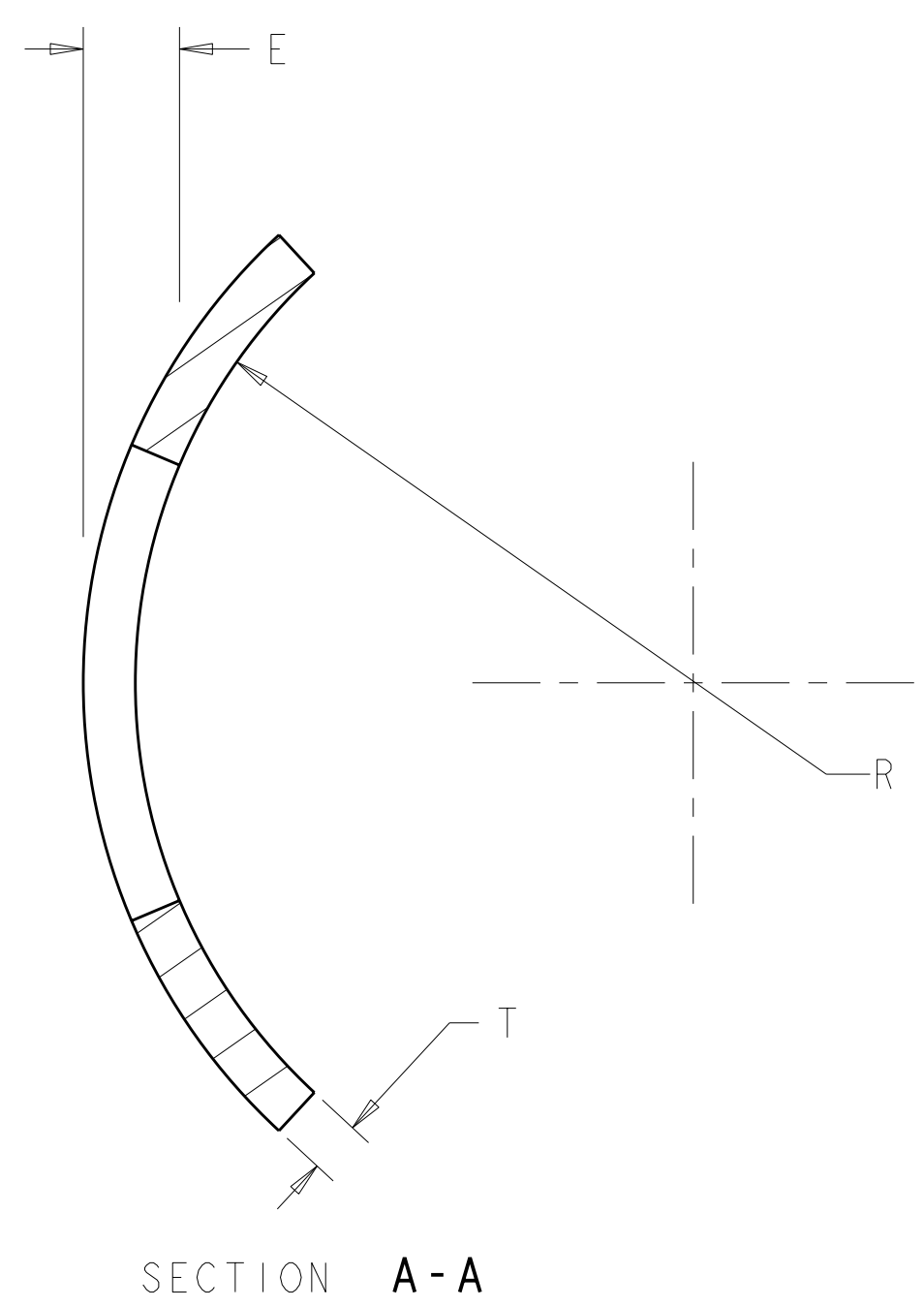
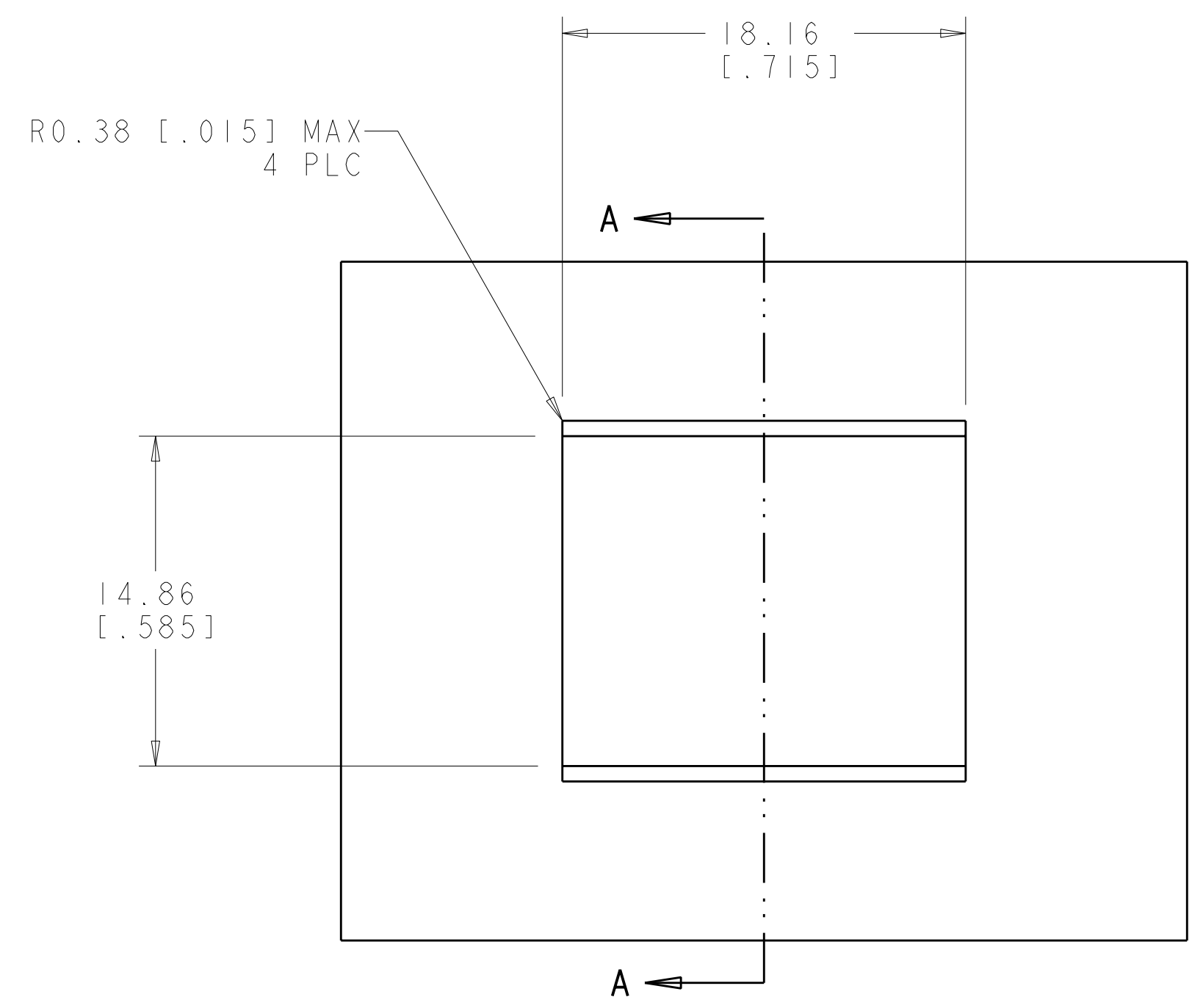
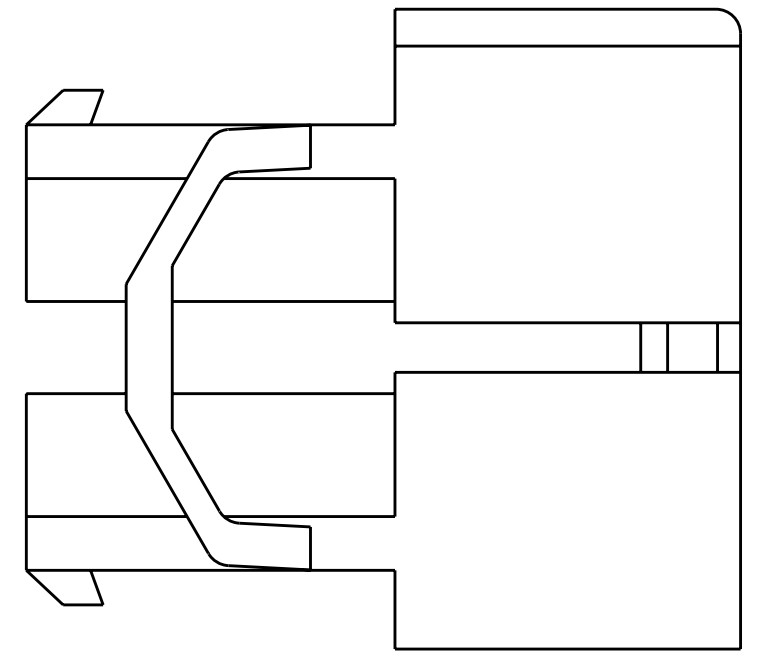


LOC	DIST	REVISIONS			
P	LTR	DESCRIPTION	DATE	DWN	APVD
H		ECO-07-028188	07DEC2007	KW	CC



- PART USES MATE-N-LOK™ DUAL LANCE PINS.
- PART MATES WITH PLUG 480696.
- EFFECTIVE PANEL THICKNESS "E" IS 1.02-2.54 [.040-.100] AND IS DEPENDENT ON "T" AND "R".
- CAP MUST BE INSERTED IN A ROCKING MANNER.
- HOUSING MUST ENTER THE PANEL IN THE SAME DIRECTION AS THE PUNCH.
- PANEL MUST NOT HAVE ANY MATERIAL (PAINT, PORCELAIN, ETC.) APPLIED IN THE MOUNTING HOLE AREA THAT WOULD DECREASE RETENTION OF THE HOUSING IN THE PANEL.



RECOMMENDED CUT OUT $\triangle 3 \triangle 4 \triangle 5$

0.183 IN ³	NATURAL	NYLON, UL94-HB	1-770279-0
VOLUME	COLOR	MATERIAL	PART NUMBER

DIMENSIONS: mm [INCHES] TOLERANCES UNLESS OTHERWISE SPECIFIED: 9 PLC ± 1 PLC ± 2 PLC ±0.13 (1.005) 3 PLC ± 4 PLC ± ANGLES ± FINISH		DWN: R. WHITAKER 07DEC2007 CHK: C. CASH 07DEC2007 APVD: C. CASH 07DEC2007 NAME: Tyco Electronics Tyco Electronics Harrisburg, PA 17105-3608 PRODUCT SPEC: CAP, 6 CIRCUIT, COMMERCIAL MATE-N-LOK(TM) APPLICATION SPEC: SIZE: A1100779C=770279 CAGE CODE: DRAWING NO: WEIGHT: - CUSTOMER DRAWING	
MATERIAL: SEE TABLE		SCALE: 4:1 SHEET 1 OF 1 REV H	

